

### Product Features

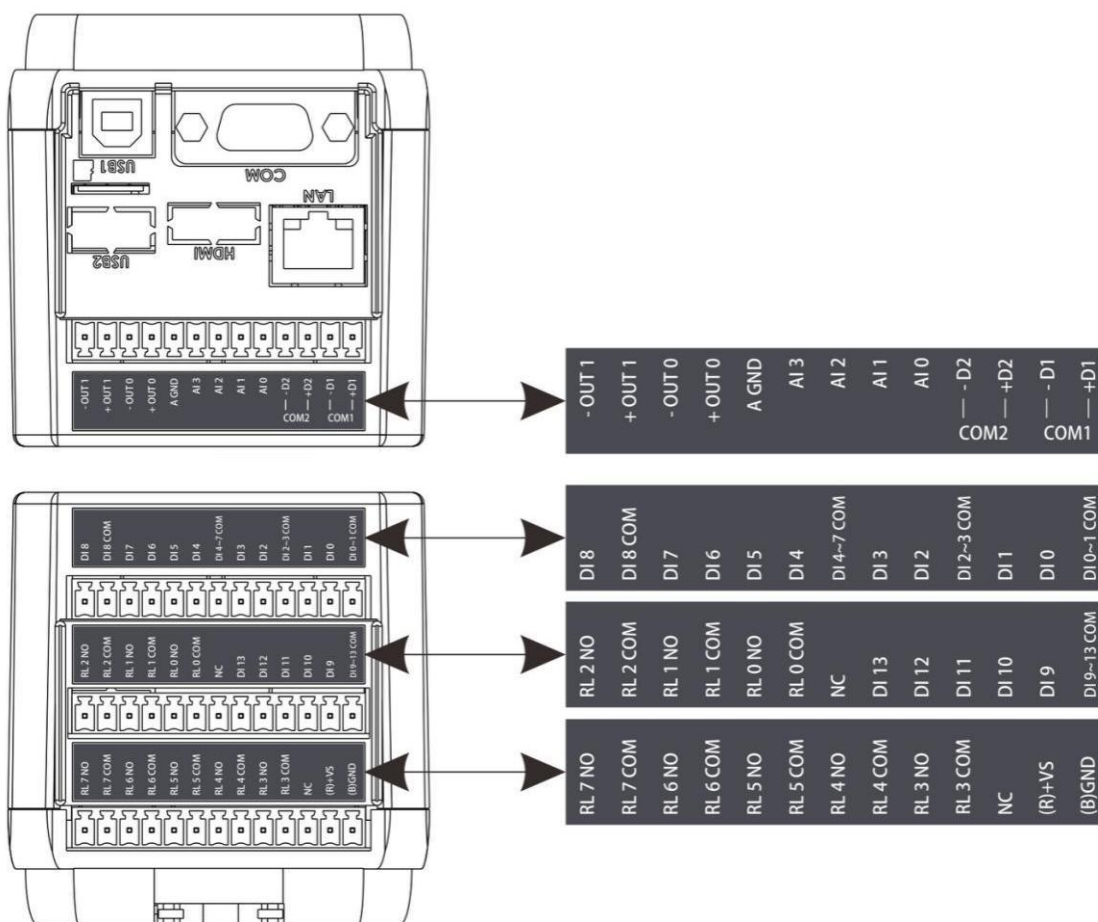
- ※ Creation Of Control Programs In Function Block Diagram (FBD) Or Ladder Diagram (LAD)
- ※ 4-Axis Synchronous Motion, 100 KHz PWM (Total 400KHz)
- ※ Able To Edit The Parameter Among The Controller Operation
- ※ Multiple AUTO-PI Synchronous Function
- ※ Multi-Lingual Display Menu
- ※ Enhance Password & Safety Function
- ※ Text Display Can Be Pre-Programmed In Two Languages
- ※ Built-in Standard High Frequency Counter (250KHz Per Input, Total 1000KHz)
- ※ Built-in Standard Real Time Clock (RTC)
- ※ PC Program Can Be Used For All A-61/52/62 Series
- ※ ATP2 Text Panel Can Plug & Play Directly
- ※ Built-in Standard RS-485 Port, Connect More Than 10000 Ios Via Remote IO Module
- ※ Connect Encoder & Multi-Sensors Directly
- ※ Built-in Step Motor Driver, Connect Directly
- ※ Built-in Datalog Function, MicroSD Plug-in
- ※ Display Text Display Diversity Patterns, Scrolling Text, Bar Charts, Indicators ....
- ※ 116 FBD Integrated Functions, 111 LD Integrated Functions
- ※ Astronomical Clock Function
- ※ ATP2 Text Panel Built-in Function Key
- ※ Digital Oscilloscope Function, Real-Time Monitoring
- ※ High-Level Math Functions
- ※ Communication Protocol MODBUS TCP-IP/RTU/ASCII & Multi
- ※ Block Name Define, Program Comment Format
- ※ Communication Baud Rate 921600 bps
- ※ Custom Truth Table, Without Logical Analysis
- ※ Multi Communication Parameter Function
- ※ Quick Calculation Of Nonlinear Equations
- ※ Random Generator Hardware
- ※ Free PC Software "ATC Edit " + "ATC Utility "
- ※ The A-3290 Two-Way Communicate Transmitter Able To Connect Wi-Fi AP, Internet Of Things (IOT), Remote Control
- ※ Able To Use For Master Or Slave Application
- ※ Able To Set For Ethernet To MODBUS 3-port Gateways
- ※ Able To Set For Ethernet to MODBUS 3-port Serial Device Servers
- ※ Built-in Voltage Input + Current Output



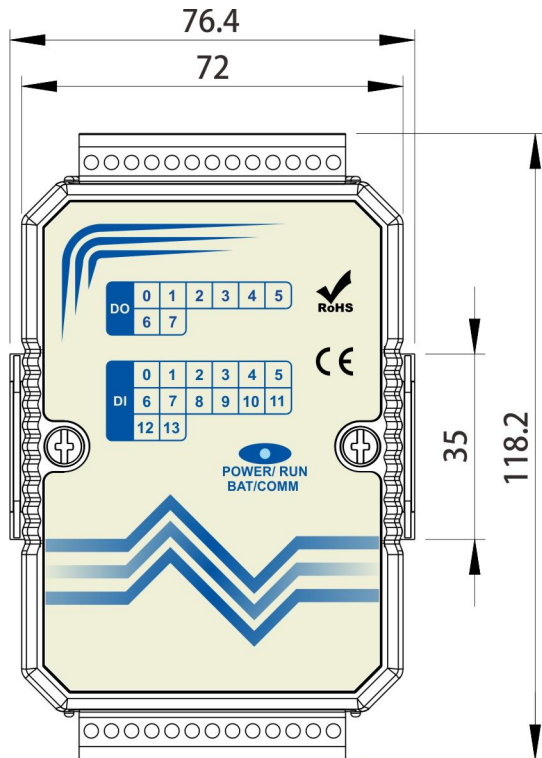
## Specifications

Type	A-5389
Operation Voltage	10~30VDC / 24VAC
Digital Inputs	14*DI(Isolation) status low:<3.9VDC, status high:>4VDC
Digital Outputs	8*Isolation(Relay)
Continuous Current	Relay: 5A(with resistive load), 2A(with inductive load)
Analog Inputs	4*AI(0~10VDC)
Analog Outputs	2*AO(0/4~20mA)
Input Operating Frequency	250KHz(Total 1000KHz)
RTC/Hold During Power Off	Yes
Operation Temperature	-20 to +75°C
Communication Ports	USB*1 & RS-485*2 & RS-232*1 & Ethernet(100M)
Degree Of Protection	IP20
Memory Card	Micro SD
Base Controller IOs	28 AIOs
Installation	35 mm DIN Rail or Flush Mounting

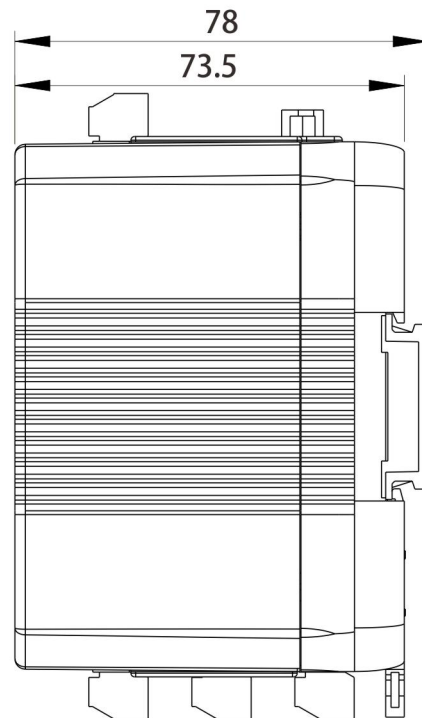
## Pin Table



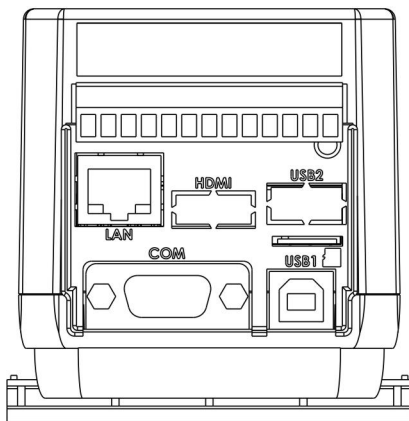
## Dimension



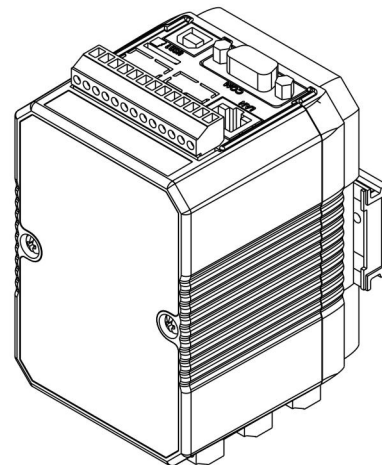
Top View



Side View



Front View



3D View

Unit: mm

## Order Information

### A-53 Series Ethernet Controller

Model No	Description	Interface
A-5389	DCS Ethernet Controller, 14DI/8DO/4AI/2AO,SD available	USB*1,RS-485*2,RS-232*1,Ethernet*1(100M)
A-5388	DCS Ethernet Controller, 6DI/4DO	USB*1,RS-485*1,Ethernet*1(100M)

## A-9 Series Controller

Model No	Description	Interface
A-9N	Fanless Edge Computing Controller	USB*1,HDMI*1,RS-485*3,Ethernet*1(100M)

## A-51 Series Controller

Model No	Description	Interface
A-5191	Controllers, LED Indicator, 16DI, 4AI(0~10V),10DO Relay Output	2*RS485&1*RS232&1*USB
A-5190	Controller, 2DI, 4AI(2*0/4~20mA,2*PT-100), 2DO (10~60V,1.75A), 2AO(0/4-20mA)	1*RS485&1*USB
A-5188	Controller, LED Indicator, 8DI Digital Input, 4DO Relay Output	2*RS485&1*RS232&1*USB
A-5189	Controller, LED Indicator, 4DI,4AI(0-10V), 4DO Power Relay	2*RS485&1*RS232&1*USB
A-5188-T	Controller, LED Indicator, 8DI Digital Input, 4DO Transistor Output	2*RS485&1*RS232&1*USB
A-5189-T	Controller, LED Indicator, 4DI,4AI(0-10V), 4DO Transistor Output	2*RS485&1*RS232&1*USB
A-5188D	Controller, LCD Display, 8DI Digital Input, 4DO Relay Output	2*RS485&1*RS232&1*USB
A-5189D	Controller, LCD Display, 4DI 4AI(0-10V), 4DO Power Relay	2*RS485&1*RS232&1*USB
A-5188D-T	Controller, LCD Display, 8DI Digital Input, 4DO Transistor Output	2*RS485&1*RS232&1*USB
A-5189D-T	Controller, LCD Display, 4DI,4AI(0-10V),4DO Transistor Output	2*RS485&1*RS232&1*USB

## A-10 Series I/O Module

Model No	Description	Interface
A-1057	DO Remote Modules, LED indicator, DC Power Supply, 12DO, Source Output	RS-485*1
A-1058	DO Remote Modules, LED indicator, DC Power Supply, 12DO, Sink Output	RS-485*1
A-1069	DO Remote Modules, LED indicator, DC Power Supply, 8DO, Power Relay Output	RS-485*1
A-1051	DI Remote Modules, LED indicator, DC Power Supply, 16DI	RS-485*1
A-1055	DIO Remote Modules, LED indicator, DC Power Supply, 8DI/8DO, Sink Output	RS-485*1
A-1055S	DIO Remote Modules, LED indicator, DC Power Supply, 8DI/8DO, Source Output	RS-485*1
A-1060	DIO Remote Modules, LED indicator, DC Power Supply, 8DI/4DO, Power Relay Output	RS-485*1
A-1010	DIAO Remote Modules, LED indicator, DC Power Supply, 8AI(0~10V,10bit), 2AO(0~10V,10bit), 4DO(sink)	RS-485*1
A-1010+	DIAO Remote Modules, LED indicator, DC Power Supply, 8AI(0~10V,10bit), 2AO(0~10V,10bit), 4DO(sink)	RS-485*1 <b>Isolated</b>

A-1012	ADIO Remote Modules, LED indicator, DC Power Supply, 2DI, 4AI(0~20/4~20mA + PT-100/1000), 2AO(0~20/4~20mA), 2DO(Transistor)	RS-485*1 USB*1
A-1012+	ADIO Remote Modules, LED indicator, DC Power Supply, 2DI, 4AI(0~20/4~20mA + PT-100/1000) <b>Isolated</b> , 2AO(0~20/4~20mA), 2DO(Transistor)	RS-485*1 <b>Isolated</b>
A-1013	4AI(0~10V/2~10V + PT-100/1000), 2AO(0~10V/2~10V), 2DI, 2DO(Source Output)	RS-485*1, USB*1
A-1019	ADIO Remote Modules, LED indicator, DC Power Supply, 4DI, 8AI(0~20/4~20mA,J,K,T,E,R,S,B,Thermistor)	RS-485*1 USB*1
A-1019+	ADIO Remote Modules, LED indicator, DC Power Supply, 4DI, 8AI(0~20/4~20mA,J,K,T,E,R,S,B,Thermistor) <b>Isolated</b>	RS-485*1 <b>Isolated</b> USB*1
A-1036+	AO Remote Modules, LED indicator, DC Power Supply, 6AO(0~20/4~20mA)	RS-485*1 <b>Isolated</b>
A-1038+	AO Remote Modules, LED indicator, DC Power Supply, 8AO(0~10V)	RS-485*1 <b>Isolated</b>

### A-18 Series Ethernet I/O Module

Model No	Description	Interface
A-1819	Ethernet IO Module, 8AI (0/4~20mA A,J,K,T,E,R,S,B,Thermistor-270 ~ +1800℃ )	USB*1, Ethernet*1(100M)
A-1812	Ethernet IO Module, 2DI 4AI(2*0/4~20mA,2*PT-100/1000) 2AO	USB*1, Ethernet*1(100M)
A-1851	Ethernet IO Module, 16DI	USB*1, Ethernet*1(100M)
A-1855	Ethernet IO Module, 8DI, 4DO(Motor Driver 8~60V/1.75A)	USB*1, Ethernet*1(100M)
A-1860	Ethernet IO Module, 8DI, 4DO Power Relay (250VA/7A, 30VD/7A)	USB*1, Ethernet*1(100M)
A-1869	Ethernet IO Module, 8DO Power Relay (250VA/7A, 30VD/7A)	USB*1, Ethernet*1(100M)
A-1855S	Ethernet IO Module, 8DI, 4DO Source (10-40VDC/1A)	USB*1, Ethernet*1(100M)

### Contact us

Shenzhen ATC Technology Co.,Ltd

Add. Room 803, Block D, Building 16, South Station Enterprise City,Port Road Nanhai District, Foshan, China,528251

Tel: (86 757) 8676 7929

Email: [sales@szatc.com](mailto:sales@szatc.com) [support@szatc.com](mailto:support@szatc.com)

Website: [www.szatc.com](http://www.szatc.com)

Copyright © 2023 Shenzhen ATC Technology Co.,Ltd. All rights reserved.